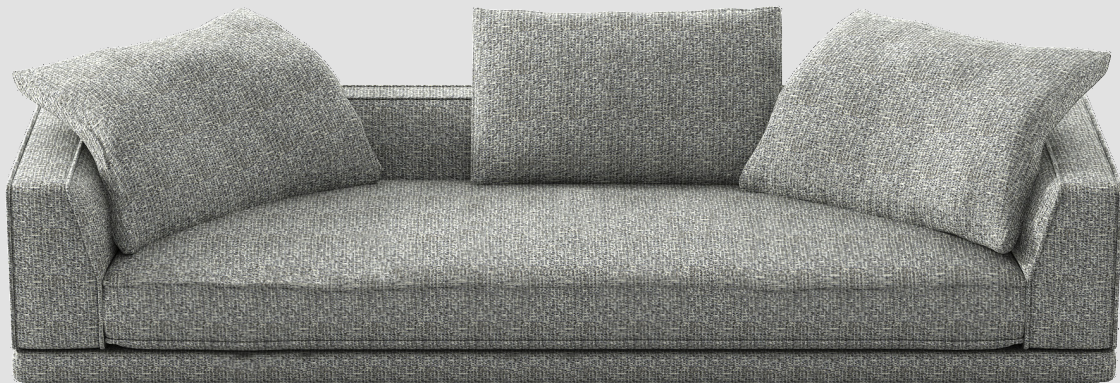


LEGACY





# LEGACY



The Legacy sofa is crafted for your utmost comfort, its deep seats invite you to unwind in a personalized embrace. This sofa seamlessly marries elegance with versatility, featuring a highly configurable modular system that allows you to tailor its layout to your living space and lifestyle.

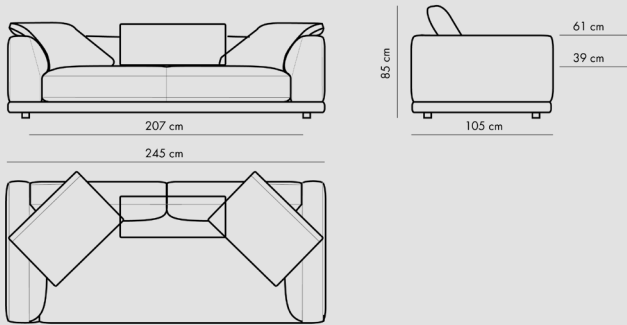
Whether you're sitting up for a lively conversation or reclining for a moment of quiet repose, Legacy adapts to your every need. Its design promotes a casual elegance, supporting a variety of relaxing positions with ease. Each module interlocks with precision, ensuring that you can expand or rearrange it without sacrificing its inherent charm or comfort.

designer : Florent Coirier

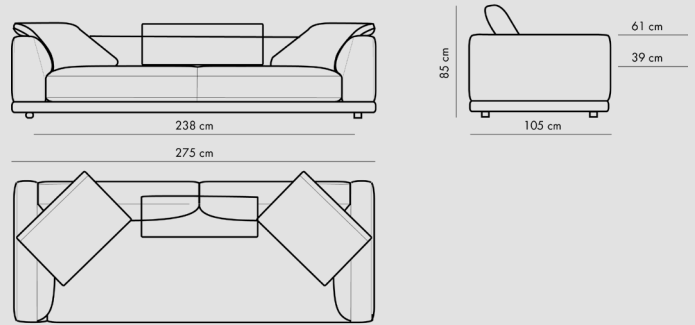


**dimensions**

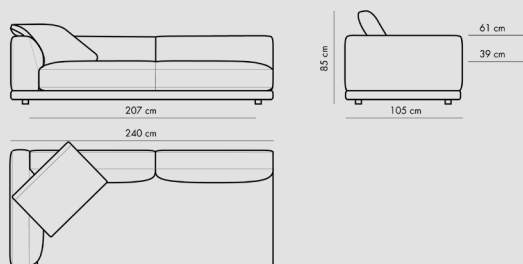
**LEGACY SOFA 3 SEATER /  
COD LEG3P**



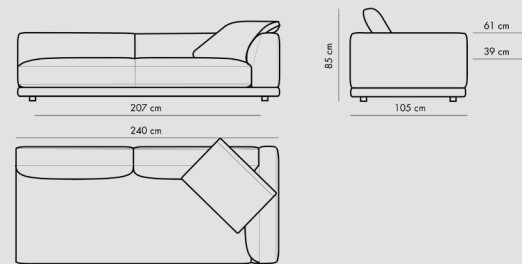
**LEGACY SOFA 3 SEATER LARGE /  
COD LEG3PL**



**LEGACY SOFA DX /  
COD LEGDX**

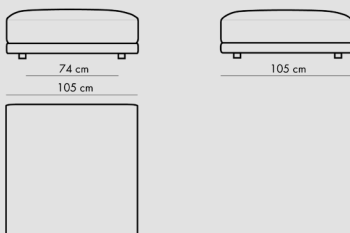


**LEGACY SOFA SX /  
COD LEGSX**



**dimensions**

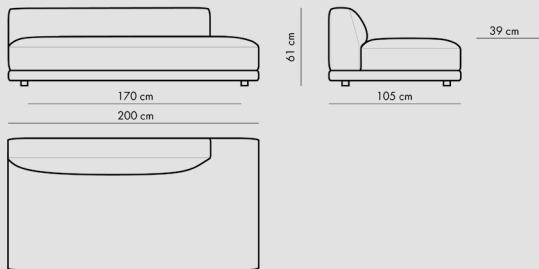
**LEGACY POUF /  
COD LEGPOUF**



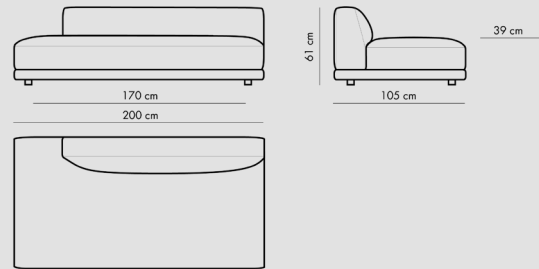


dimensions

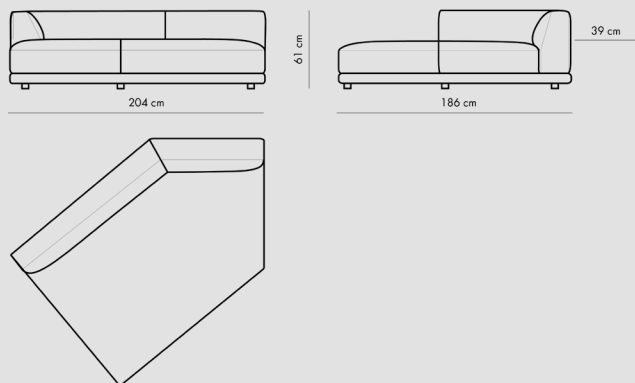
**LEGACY LOUNGE DX /  
COD LEGLOUD**



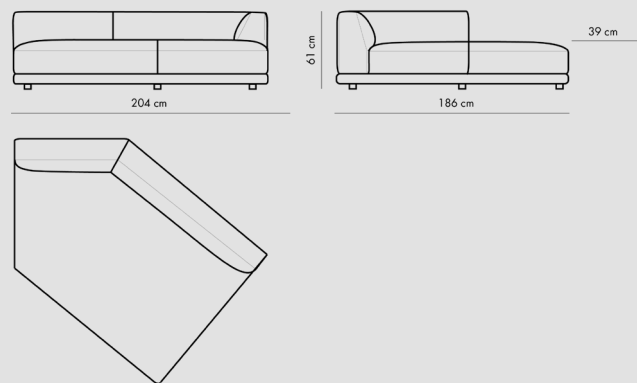
**LEGACY LOUNGE SX /  
COD LEGLOUS**



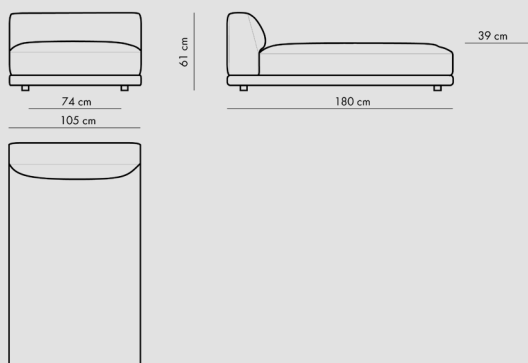
**LEGACY OBLIQUE DX /  
COD LEGOBLDX**



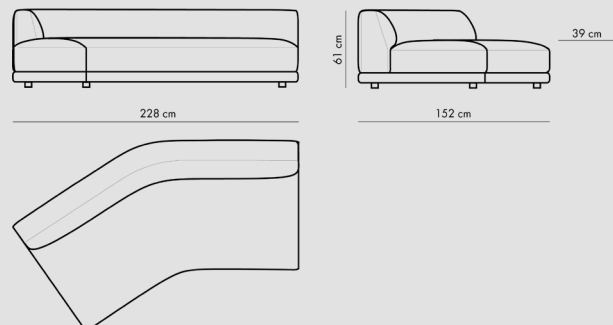
**LEGACY OBLIQUE SX /  
COD LEGOBLSX**



**LEGACY CHAISE /  
COD LEGCHAI**



**LEGACY OBLIQUE CX /  
COD LEGOBLCX**





## **technical informations**

### **nternal frame:**

Wooden frame

### **Internal composition:**

Upholstery Polyurethane foam, shaped polyurethane, polyester fibre cover

### **Seat cushion:**

Upholstery shaped polyurethane, cotton cover

### **Back cushion upholstery:**

Cotton cover

### **Lower edge:**

Metal feet

### **Cover:**

Fabric or leather



colors and finitions

Vellus

Composition: 28% WO - 37% PC - 22% PL - 13% CO

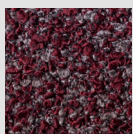
Weight Gr. /Mtl: 1.140

LightFastness: 5/6 ( ISO 105-B02)

Pilling: 4 5.000 rubs ( ISO 12945-2)

Martindale: 80.000 rubs

Firestest: Cal TB 117, BS 8552 Cigarette e Match



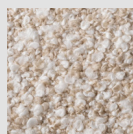
Color 01



Color 02



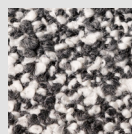
Color 03



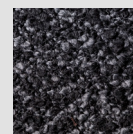
Color 04



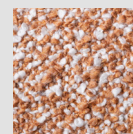
Color 05



Color 06



Color 08



Color 09



Color 11

Lucinasco

Composition: 48% PL - 15% CO - 21% PC - 11% VI - 5% LI

Weight Gr. /Mtl: 1.020

LightFastness: 5/6 ( ISO 105-B02)

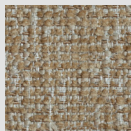
Pilling: 4/5 5.000 rubs ( ISO 12945-2)

Martindale: 50.000 rubs

Firestest: Cal TB 117, BS 8552 Cigarette e Match



Color 02



Color 03



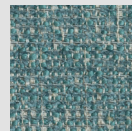
Color 04



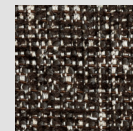
Color 05



Color 08



Color 12



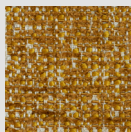
Color 17



Color 19



Color 20



Color 22



Color 25



# ESPANDIA